

Karman vortex flow meter (Pulse output)

VK-T

- Simplified construction and low pressure loss.
- Excellent durability due to no moving parts.
- No restriction on the installation attitude.



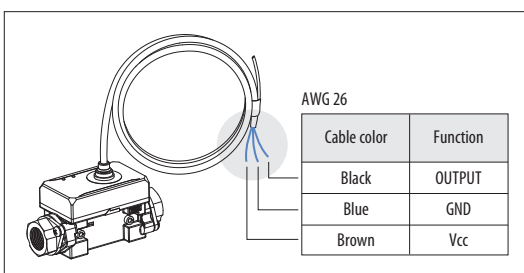
Model number selection

	Std.	Output	Fluids		Flow range	Connection size	Option	For specialized item
VK-TR	05	P	1	B	5	01		
							Indicator *	Provide option code of display or converter in case that you want to use with this product
							01	Rc1/4"
							02	Rc3/8"
							03	Rc1/2"
							R2	R3/8"
							R3	R1/2"
						5		0.5 – 5L/min
						10		1 – 10L/min
						20		2 – 20L/min
				1				Liquid of the water equivalency
				9				For specialized unit
		P						Pulse output
	05							0.5 – 5L/min
	10							1 – 10, 2 – 20L/min
								Rc1/4" – 1/2" , R3/8" – 1/2"
								Rc3/8" – 1/2" , R3/8" – 1/2"

	Std.	Output	Fluids		Flow range	Connection size	Option	For specialized item
VK-TM	25	P	1	B	120	05		
							Indicator *	Provide option code of display or converter in case that you want to use with this product
							05	Rc1"
						120		10 – 120L/min
				1				Liquid of the water equivalency
				9				For specialized unit
		P						Pulse output
	25							10 – 120L/min
								Rc1"

* Display or converter is paired with this product at Factory. Refer to "Digital meter / Converter" page regarding option codes.

Electrical connections



LED light

2 of the LED lights. See below for each function.

- Red LED: Power source indicator
 - Turned ON: Power ON
 - Turned OFF: Power OFF
- Green LED: Flow indicator
 - Turned ON or blinking: Flow measurement in progress
 - Turned OFF: Outside of flow range, measurement error

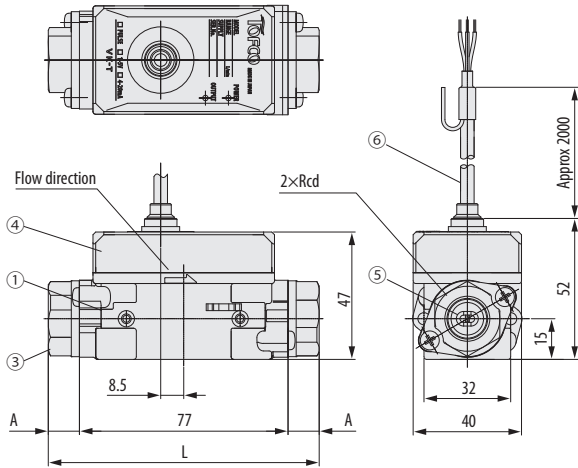


Specifications

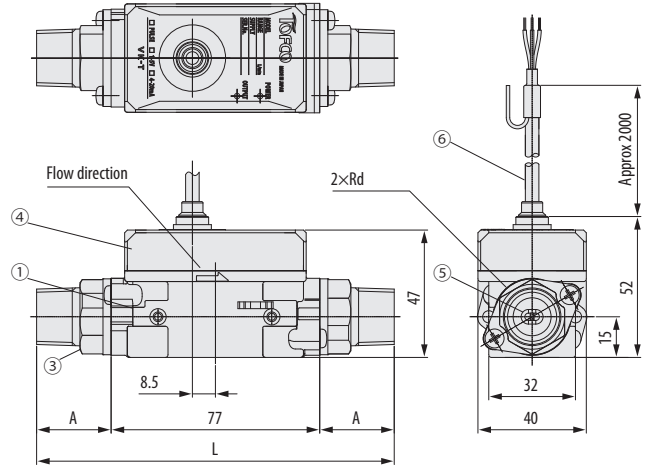
Model number selection	VK-TR05	VK-TR10	VK-TM25
Flow range	0.5 – 5L/min	1 – 10L/min 2 – 20L/min	10 – 120L/min
Fluid type	Water or equivalent		
Flow accuracy	±3% of F.S.		
Fluid temperatures	0 – 70°C		
Operating temperatures	0 – 50°C (No dewing / freezing)		
Pressure	Pressure limit 1MPa(G) / Withstand pressure 1.5MPa(G)		
Pulse output	NPN Open collector 35 V DC max. / 100 mA		
Power source / Current consumption	12 – 24 V DC ±10% 6 mA max.		
Cable	Standard length: 2 m AWG 26		
Wetted materials	PPS, FKM, SCS13		

Structural drawing

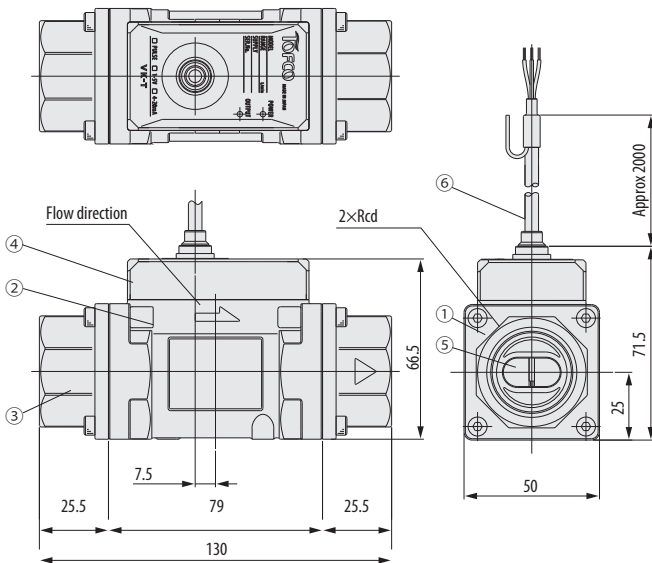
VK-TR (Rc type)



VK-TR (R type)



VK-TM



Standard dimensions

Model number selection	d	L	A
VK-TR	Rc1/4" , 3/8"	100	11.5
	Rc1/2"	112	17.5
	R3/8"	129	26
	R1/2"	132	27.5

Materials

No.	Names of parts	Material	Remarks
1	Body	PPS	Bluff body included
2	Case	ADC12	
3	Adapter	SCS13	
4	Cover	PPS	
5	Sensor holder	PPS	
6	Cable	-	AWG 26
-	O-ring	FKM	