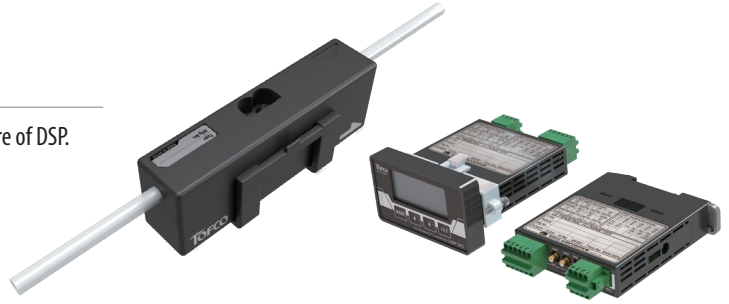


Ultrasonic Flowmeter

USF600S Series

- Faster and more stable flow measurement is available with the new feature of DSP. Anti-bubble capability enhanced as well.
- Easy wiring since cables can be disconnected from the transducer.
- Downsized transducer unit
- Up to 31 units connectable



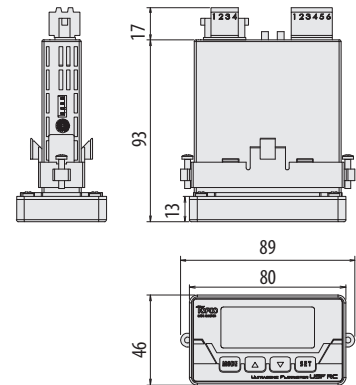
Performance

Types	USF600S-GC08	USF600S-GC10	
Fluid type	DI water, Slurry, Chemicals		
Flow range	0 - 3 L/min	0 - 6 L/min	
Connection size	Tube end 1/4" (φ 6.35×4.35)	Tube end 3/8" (φ 9.53×6.33)	
Flow accuracy	±1% of R.D. ※ ≤10% of the flow ranges: ±0.1% of F.S.		
Pressure limit	0.5 MPa		
Temperature limit	90 °C		
Operating temperatures	0 - 80 °C (Transducer unit) / 0 - 50 °C (Driver unit) No condensation		
AMP (Driver) unit	Input signal	Digital input 1: Zero-point adjustment, Digital input 2: Totalized flow volume reset	
	Analog output	4-20 mA	
	Open Collector Output	Instantaneous frequency	
		Totalized pulse	
		Alarm	
Digital communication	RS-485 (Modbus-RTU)		
Power source voltage	24 V DC ±10%		
Consumption current	≤ 100 mA, while in operation.		
Transducer unit	Wetted materials	NEW PFA	
	Cable length	PVC-jacketed cable (Standard): 3000 mm	

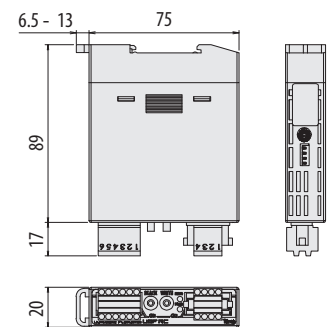
Structural drawing

Driver unit

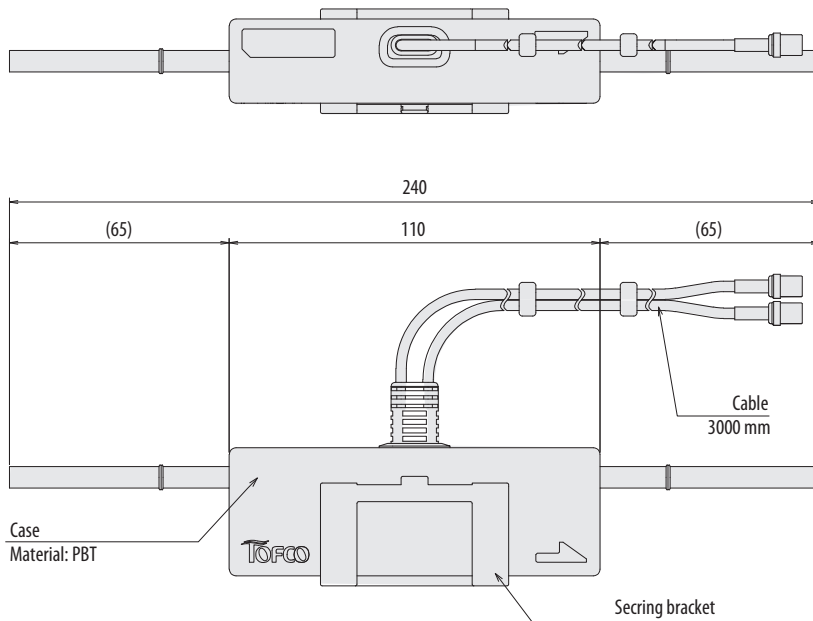
■ Display



■ No display



Transducer unit



※The contents of this catalog are subject to change due to the improvements of the product performance and functions without prior notice.



Address : 4-3-17 Minamidaira Hino-shi Tokyo Japan 191-0041

Phone : +81-(0)42-592-6111 FAX : +81-(0)42-592-6112 E-mail : sales@tofco.jp Web site : www.tofco.jp